

Model OB UH Series

Bending Beam Load Cell (7Kg~ 100Kg)



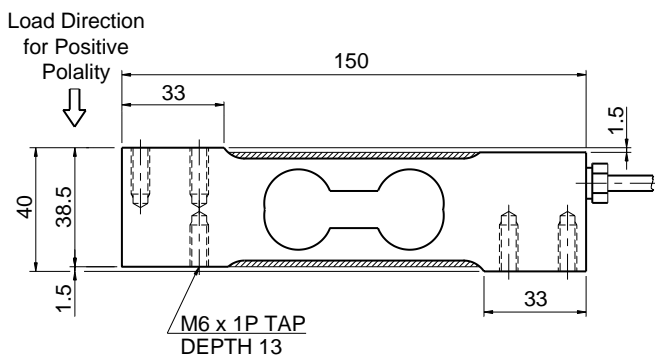
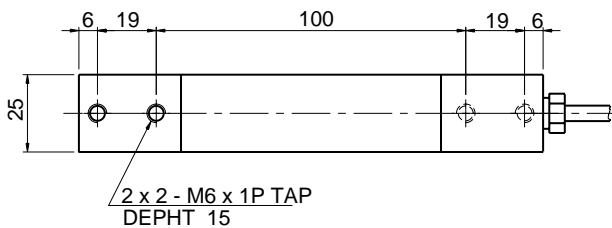
The OBUH series single point load cell is designed for low profile scales and automatic check weighing systems where great accuracy, reliability and fast measurement are required.

All OBUH load cell exceed the requirements of Handbook 44 for 3000d and meet OIML recommendations for 3000d.

To obtain the best performance, it is important that care should be taken in their mounting. A flat, solid, machined base is important and the correct fixing torque must be applied to the fixing bolts.

SPECIFICATIONS

MODEL	OBUH	OBUHT
Rated capacity (R.C.)	7, 10, 15, 30, 50, 100kg	
Rated output(R.O.)	2mV/V ± 10%	2mV/V ± 0.25%
Non-linearity	≤ 0.02% R.O.	
Hysteresis	≤ 0.02% R.O.	
Non-repeatability	≤ 0.02% R.O.	
Creep error	≤ 0.03% in 20min.	
Zero balance	≤ 5% R.O.	
Compensated temperature range	-10 ~ 70°C	
Operating temperature range	-20 ~ 80°C	
Temp. effect on rated output	≤ 0.012% LOAD/10 °C	
Temp. effect on zero balance	≤ 0.04% R.O./10°C	
Terminal input resistance	420 Ohms ±20 Ohms	
Terminal output resistance	350 Ohms ±5 Ohms	
Insulation resistance (Min.)	2000 MOhms at 50V DC	
Excitation Voltage	10V(Recommended) /15V(Maximum)	
Electrical connection	ø5mmx1.5m(22AWG x 4Core Shielded)	
Protection class	meets IP 65	
Safe overload	150% R.C	
Ultimate overload	300% R.C	



Capacity	Allowable Platform Size
7 ~30Kg(68.65 ~294.21N)	300 x 300mm
50 ~100Kg(490.3 ~980.7N)	400 x 400mm

ORDERING INFORMATION

OBUH 50

MODEL CAPACITY
OBUH 7, 10, 15, 30, 50, 100Kg
OBUHT

WIRING INFORMATION

RED : EXC. (+) WHITE : EXC. (-)
GREEN : SIG. (+) BLUE : SIG. (-)
BARE : GND

* Specifications are subject to change without notice

SEP.2000

BONGSHIN LOADCELL CO., LTD.

148,SANGDAEWON-DONG,CHUNGWON-KU, SUNGNAM-CITY, KYUNGKI-DO, KOREA
TEL : 82-31-742-6661 www.bongshin.com
FAX : 82-31-742-6664 E-mail : loadcell@bongshin.com