

## Model CWFK Series

Center Hole Type Load Cell (20t ~ 200t)

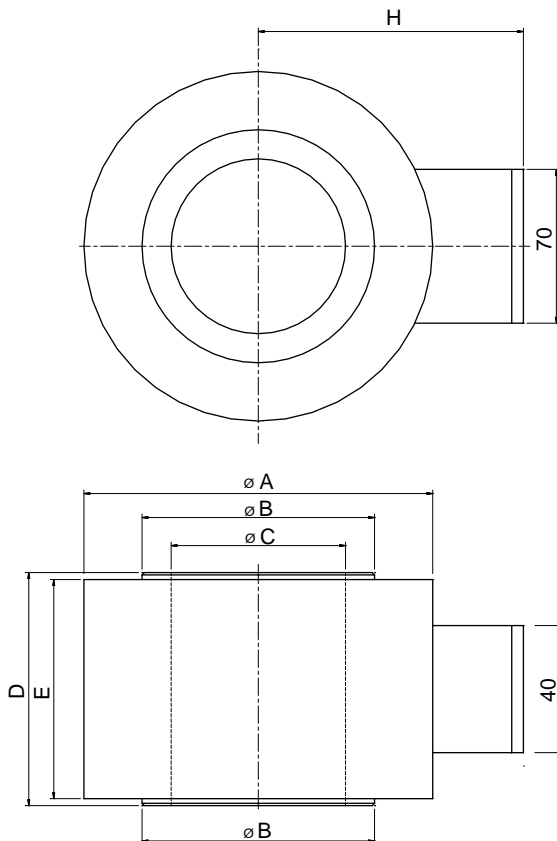


The CWFK series are rugged and compact sensors used to measure loads in tiebacks, foundation anchors, rockbolts, struts or tunnel supports.

- Rugged waterproof construction.
- Withstands and measures eccentric loads.
- High stability and sensitivity.

### SPECIFICATIONS

MODEL	CWFK
Rated capacity (R.C.)	20, 50, 100, 150, 200t
Rated output(R.O.)	1mV/V ± 0.3%
Non-linearity	≤ 1.0% R.O.
Hysteresis	≤ 1.0% R.O.
Non-repeatability	≤ 1.0% R.O.
Creep error	≤ 1.0% in 20min.
Zero balance	≤ 1% R.O.
Compensated temperature range	-10 ~ 40°C
Operating temperature range	-20 ~ 80°C
Temp. effect on rated output	≤ 0.02% LOAD/10°C
Temp. effect on zero balance	≤ 0.02% R.O./10°C
Terminal input resistance	400 Ohms ±20 Ohms
Terminal output resistance	350 Ohms ±5 Ohms
Insulation resistance (Min.)	2000 MOhms at 50V DC
Excitation Voltage	10V(Recommended) /15V(Maximum)
Electrical connection	∅9mmx5m(22AWG x 4C)/Connector type
Protection class	meets IP 67
Safe overload	150% R.C
Ultimate overload	300% R.C



### ORDERING INFORMATION

#### CWFK - 50T

MODEL CAPACITY  
20, 50, 100, 150, 200t

### WIRING INFORMATION

RED : EXC. (+) WHITE : EXC. (-)  
GREEN : SIG. (+) BLUE : SIG. (-)  
BARE : GND

### Dimension-mm

Rated Capacity	A	B	C	D	E	H	Weight(kg)
20t (196.1KN)	88	48	30	80	74	76	1.6
50t (490 KN)	110	70	40	80	74	87	3.0
100t (981 KN)	138	100	60	110	100	101	6.2
150t (1471KN)	164	126	80	130	120	114	11.6
200t (1961KN)	190	152	100	150	140	127	18.0

\* Specifications are subject to change without notice

OCT.2002