

Model CSDH Series

Compression

Low Profile Load Cell(30t ~ 100t)

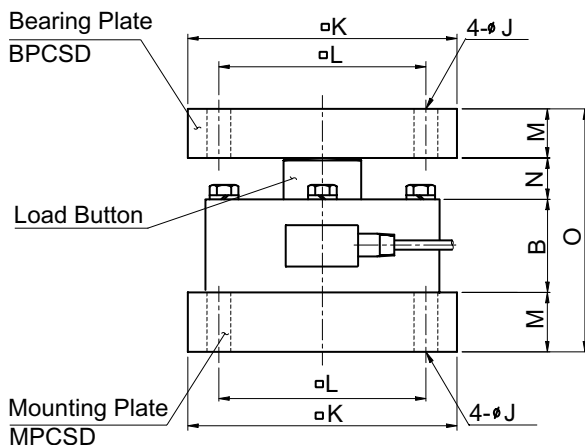
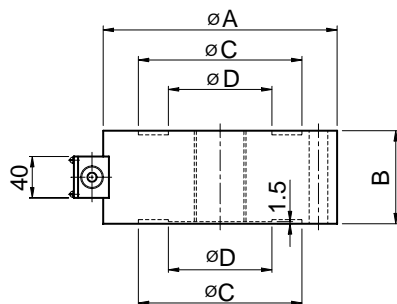
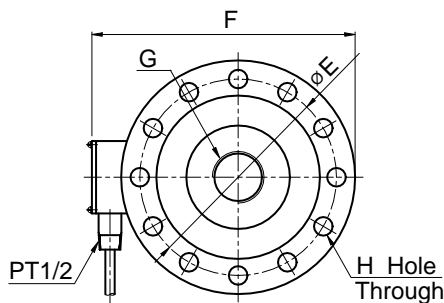


The model CSDH is an ultra low profile compression shear type load cell suited to precision applications where headroom and side loads are a problem. All units are machined from a solid billet of tool steel and sealed with welded diaphragms.

- Hermetically sealed
- High rated output(3mV/V)
- Low profile

SPECIFICATIONS

| | |
|-------------------------------|---|
| MODEL | CSDH |
| Rated capacity (R.C.) | 30,50,100t |
| Rated output (R.O.) | 3mV/V \pm 0.3% |
| Non-linearity | \leq 0.1% R.O. |
| Hysteresis | \leq 0.1% R.O. |
| Non-repeatability | \leq 0.05% R.O. |
| Creep error | \leq 0.03% in 20min. |
| Zero balance | \leq 1% R.O. |
| Compensated temperature range | -10 ~ 70 °C |
| Operating temperature range | -20 ~ 80 °C |
| Temp. effect on rated output | \leq 0.03% LOAD/10 |
| Temp. effect on zero balance | \leq 0.03% R.O./10 |
| Terminal input resistance | 350 Ohms \pm 3.5 Ohms |
| Terminal output resistance | 350 Ohms \pm 5 Ohms |
| Insulation resistance (Min.) | 2000 MOhms at 50V DC |
| Excitation voltage | 10V(Recommended),15V(Maximum) |
| Electrical connection | \varnothing 9mmx3m(22AWG x4Core Shielded) |
| Protection class | meets IP 67 |
| Safe overload | 150% R.C |
| Ultimate overload | 300% R.C |



ORDERING INFORMATION

CSDH - 30T

MODEL CAPACITY
30, 50, 100t

WIRING INFORMATION

RED : EXC. (+) WHITE : EXC. (-)
GREEN : SIG. (+) BLUE : SIG. (-)
BARE : GND

Dimension-mm

| Capacity | A | B | C | D | E | F | G | H | J | K | L | M | N | O | Bearing Plate | Mounting Plate | Weight (Kg) |
|------------------------|-----|-----|-----|-----|-----|-----|---------|----------------------|----|-----|-----|------|----|-----|---------------|----------------|-------------|
| 30, 50t(294.2,490.3KN) | 226 | 90 | 158 | 100 | 190 | 268 | M50x 2P | 12- \varnothing 18 | 23 | 260 | 200 | 47.5 | 40 | 225 | BPCSD-1 | MPCSD-1 | 23 |
| 100t(980.7KN) | 306 | 110 | 212 | 138 | 260 | 350 | M76x 3P | 16- \varnothing 23 | 27 | 360 | 280 | 57.5 | 50 | 275 | BPCSD-2 | MPCSD-2 | 48 |

* Specifications are subject to change without notice

AUG.2002

BONGSHIN LOADCELL CO., LTD.

148,SANGDAEWON-DONG,JUNGWON-KU, SEONGNAM-CITY, GYEONGGI-DO, KOREA
TEL : 82-31-742-6661 www.bongshin.com
FAX : 82-31-742-6664 E-mail : loadcell@bongshin.com