

Model CR Series

Compression Load Cell (200Kg ~ 20t)
Canister Type

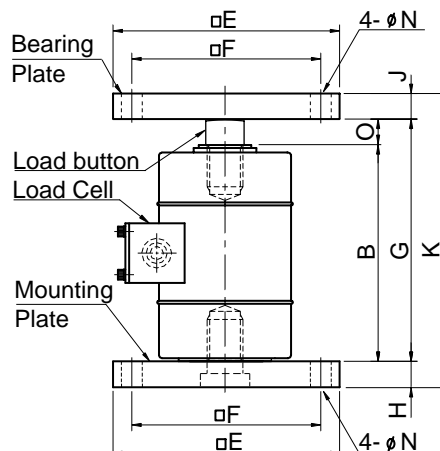
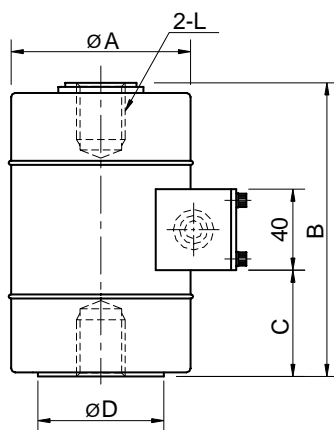
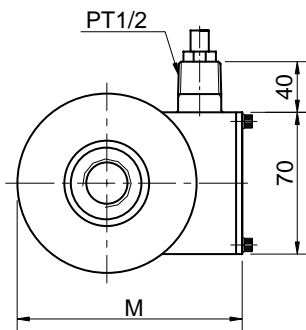


The CR series load cells are designed for measuring compressive loads up to 20 tonnes are particularly suited for industrial application where optimum precision is needed. Featuring high-alloy tool steel construction for excellent repeatability, the unique element design provides high rated output (3mV/V) with low deflection. It is recommended that the load cell should incorporate the flat, solid, machined bearing plate and mounting plate to provide the highest accuracy.

- Hermetically sealed
- Robust high capacity design
- High rated output (3mV/V)

SPECIFICATIONS

MODEL	CRU	CRC	CRD
Rated capacity (R.C.)	200, 500Kg, 1, 2, 3, 5, 10, 20t		
Rated output (R.O.)	3mV/V ±0.1%		3mV/V ±0.2%
Non-linearity	≤0.02% R.O.	≤0.05% R.O.	≤0.1% R.O.
Hysteresis	≤0.02% R.O.		≤0.1% R.O.
Non-repeatability	≤0.02% R.O.		≤0.1% R.O.
Creep error	≤0.02% in 20min.		≤0.1% in 20min.
Zero balance	≤1% R.O.		
Compensated temperature range	-10 ~ 70 °C		
Operating temperature range	-20 ~ 80 °C		
Temp. effect on rated output	≤0.03% LOAD/10 °C		≤0.05% LOAD/10 °C
Temp. effect on zero balance	≤0.03% R.O./10 °C		≤0.05% R.O./10 °C
Terminal input resistance	350 Ohms ±3.5 Ohms		
Terminal output resistance	350 Ohms ±5 Ohms		
Insulation resistance (Min.)	5000 MOhms at 50V DC		2000 MOhms at 50V DC
Excitation Voltage	10V(Recommended), 15V(Maximum)		
Electrical connection	Ø9mmx3m (22AWG x 4Core Shielded)		
Protection class	meets IP 67		
Safe overload	150% R.C		
Ultimate overload	300% R.C		



ORDERING INFORMATION

CR - 5T	
MODEL	CAPACITY
CRU	200,500Kg
CRC	1.2.3.5.10.20t
CRD	

WIRING INFORMATION

RED	: EXC. (+)	WHITE	: EXC. (-)
GREEN	: SIG. (+)	BLUE	: SIG. (-)
BARE	: GND		

Dimensions-mm

Rated Capacity	A	B	C	D	E	F	G	H	J	K	L	M	N	O	Bearing Plate	Mounting Plate	Load Button	Weight (kg)
200~300Kg (1961N ~ 2942N)	88	110	33	34	100	78	119	15	15	149	M12 x 1.25 D.13	120	8	9	BPCR1	MPCR1	LBCR1	2.8
500Kg~ 1t (4903N ~ 9807N)		106					115			145								
2~5t (19.61KN ~ 49.03KN)	88	145	52.5	66	130	106	161	24	24	209	M24 x 2 D.30	120	12	16	BPCR2	MPCR2	LBCR2	4.5
10t (98.07KN)	138	210	70	102	160	126	230	30	30	290	M39 x 2 D.50	171	14	20	BPCR3	MPCR3	LBCR3	12.5
20t (196.1KN)	164	283	120	120	200	150	305	30	30	365	M50 x 2 D.65	189	14	20	BPCR4	MPCR4	LBCR4	27.4

* Specifications are subject to change without notice

SEP.2000