

## ModelCCDM/CCCM Series Compression Load Cell (10t ~ 500t) Canister Type

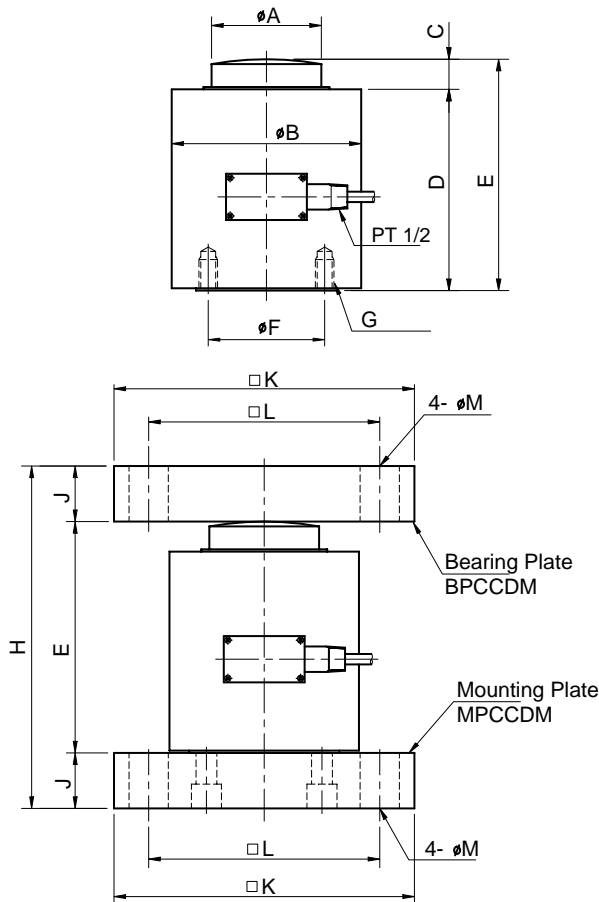


The CCDM/CCCM series of single column, low profile and compact, hermetically sealed design provides small deflection(0.2mm Max) and trouble-free operation. These load cells designed for rugged industrial use as compression load cell and meet the needs of low cost weighing and force measurement systems.

- Insensitive to side load
- Robust high capacity design
- High alloy steel construction

### SPECIFICATIONS

MODEL	CCDM	CCCM
Rated capacity (R.C.)	10, 20, 30, 50, 100, 200, 300, 500 t	10, 20, 30, 50, 100, 200 t
Rated output (R.O.)	1.5mV/V ± 0.5%	
Non-linearity	≤ 0.1% R.O.	≤ 0.05% R.O.
Hysteresis	≤ 0.1% R.O.	≤ 0.05% R.O.
Non-repeatability	≤ 0.1% R.O.	≤ 0.05% R.O.
Creep error	≤ 0.1% in 20min.	≤ 0.05% in 20min.
Zero balance	≤ 1% R.O.	
Compensated temperature range	-10 ~ 40 °C	
Operating temperature range	-20 ~ 70 °C	
Temp. effect on rated output	≤ 0.03% LOAD/10°C	≤ 0.03% LOAD/10°C
Temp. effect on zero balance	≤ 0.03% R.O./10	≤ 0.03% R.O./10
Terminal input resistance	350 Ohms ±3.5 Ohms	
Terminal output resistance	350 Ohms ±5 Ohms	
Insulation resistance (Min.)	2000 MOhms at 50V DC	
Excitation voltage	10V(Recommended), 15V(Maximum)	
Electrial connection	∅ 9mmx5m(22AWG x 4Core Shielded)	
Protection class	meets IP 67	
Safe overload	150% R.C	
Ultimate overload	300% R.C	



Dimensions-mm

Rated Capacity	A	B	C	D	E	F	G	H	J	K	L	M	Bearing Plate	Mounting Plate	Loadcell Weight(Kg)
10t ( 98.07KN )	32	88.5	13.5	116.5	130	60	4-M10x1.5P	180	25	150	106	22	BPCCDM1	MPCCDM1	3.0
20t ( 196.1KN )	32	88.5	13.5	116.5	130	60	4-M10x1.5P	180	25	150	106	22	BPCCDM1	MPCCDM1	3.3
30t ( 294.2KN )	32	88.5	13.5	116.5	130	60	4-M10x1.5P	180	25	150	106	22	BPCCDM1	MPCCDM1	3.5
50t ( 490.3KN )	55	88.5	20	136	156	60	4-M10x1.5P	206	25	200	148	26	BPCCDM2	MPCCDM2	4.7
100t ( 980.7KN )	55	164	20	180	200	90	4-M14x2.0P	280	40	260	200	26	BPCCDM3	MPCCDM3	14.3
200t ( 1961KN )	95	164	20	180	200	100	4-M14x2.0P	300	50	260	200	33	BPCCDM4	MPCCDM4	18.3
300t ( 2942KN )	95	164	20	230	250	100	6-M20x2.5P	350	50	260	200	33	BPCCDM4	MPCCDM4	27.9
500t ( 4903KN )	120	212	25	244	269	130	6-M24x3P	399	65	300	220	39	BPCCDM5	MPCCDM5	49.9

### ORDERING INFORMATION

#### CCDH - 10T

MODEL	CAPACITY
CCCM	10, 20, 30, 50, 100, 200, 300, 500 t
CCDM	

### WIRING INFORMATION

RED : EXC. (+)    WHITE : EXC. (-)  
GREEN : SIG. (+)    BLUE : SIG. (-)  
BARE : GND

\* Specifications are subject to change without notice

AUG.2002