

## Model BRTL Series

Flanged Type Reaction Torque Transducer  
(1kgf-m ~ 100kgf-m)

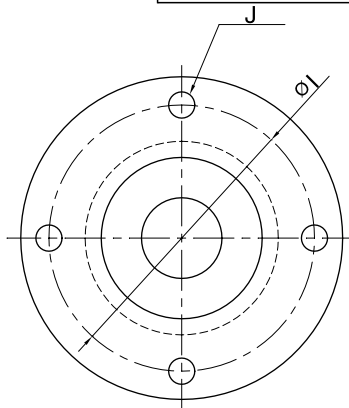
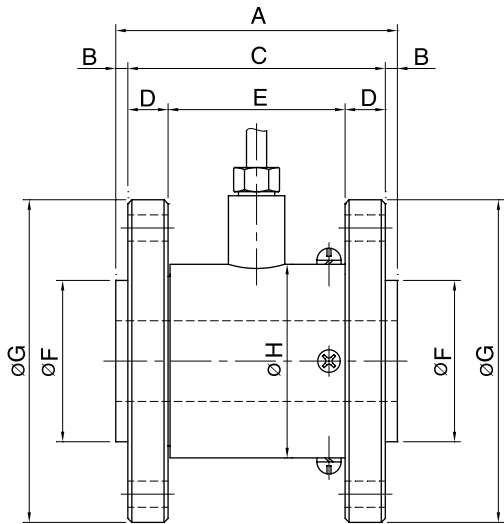


The BRTL series, reaction torque transducers, guarantee the high performance comparing to the other in the same class.

- Low deflection.
- Small size.
- Alloy tool steel construction
- High stability and sensitivity.

### SPECIFICATIONS

MODEL	BRTL
Rated capacity (R.C.)	1, 2, 5, 10, 20, 50, 100kgf-m
Rated output(R.O.)	1.0mV/V ± 1.0%
Non-linearity	≤0.5% R.O.
Hysteresis	≤0.5% R.O.
Non-repeatability	≤0.2% R.O.
Creep error	≤0.5% in 20min.
Zero balance	≤1% R.O.
Compensated temperature range	-10 ~ 70°C
Operating temperature range	-20 ~ 80°C
Temp. effect on rated output	≤0.02% LOAD/10°C
Temp. effect on zero balance	≤0.02% R.O./10°C
Terminal input resistance	400 Ohms ± 20 Ohms
Terminal output resistance	350 Ohms ± 5 Ohms
Insulation resistance (Min.)	2000 MOhms at 50V DC
Recommended excitation	10V(Recommended), 15V(Max.)
Electrical connection	ø7mmx3m(22AWG x 4Core Shielded)
Protection class	meets IP 67
Safe overload	150% R.C
Ultimate overload	300% R.C

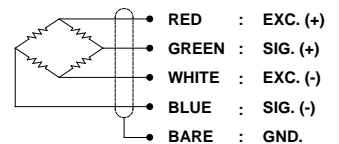


### ORDERING INFORMATION

#### BRTL - 50

MODEL: BRTL  
CAPACITY: 1, 2, 5, 10, 20, 50, 100kgf-m

### WIRING INFORMATION



### Dimension-mm

Rated Capacity	A	B	C	D	E	F	G	H	I	J	Weight(kg)
1.0 kgf-m(9.807N-m)	70	3	55	10	44	40	80	48	66	2 x 4 - ø6.5	1.5
2.0 kgf-m(19.164N-m)	70	3	55	10	44	40	80	48	66	2 x 4 - ø6.5	1.5
5.0 kgf-m(49.035N-m)	70	3	55	10	44	40	80	48	66	2 x 4 - ø6.5	1.5
10 kgf-m(98.074N-m)	70	3	55	10	44	40	80	48	66	2 x 4 - ø6.5	1.5
20 kgf-m(191.64N-m)	86	3	80	15	50	40	98	58	78	2 x 6 - ø10.5	1.8
50 kgf-m(490.35N-m)	130	5	120	20	80	60	118	58	95	2 x 6 - ø10.5	2.7
100 kgf-m(980.7N-m)	136	3	130	20	90	60	146	75	115	2 x 6 - ø14	2.9

\* Specifications are subject to change without notice

DEC, 2005