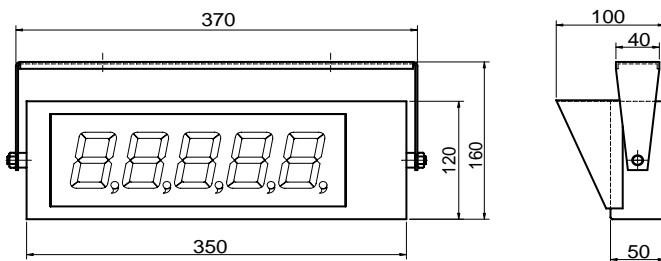


## Model BLD Series

Large Display

### BLD-235/236



**For:**

-Digital Indicator

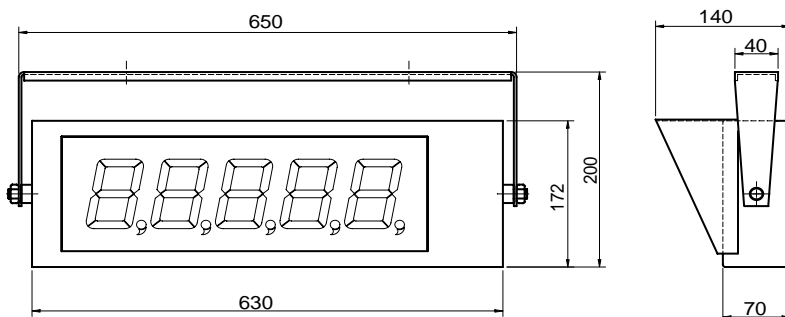
**Features:**

- High brightness.
- Uniform brightness and wide angle viewing.
- Solid state stability and long operation life.

### SPECIFICATIONS

Model	BLD-235	BLD-236
1.Display	High brightness 2.3-inch 7-segment numeric LED display	
2.Digit	5 Digits	6 Digits
3.Size of digit	56.9 mm High	
4.LED color	Red	
5.Interface	RS-232C, RS-422/485	
6.Operating temp	Temp.: -10 ~60 °C	
7.Power supply	AC 110/220V, 1PH, 50/60 Hz or dc 12/24V	
8.Power consumption	Appr. 2VA	

### BLD-405



**For:**

-Digital Indicator

**Features:**

- High brightness.
- Uniform brightness and wide angle viewing.
- Solid state stability and long operation life.

### SPECIFICATIONS

Model	BLD-405
1.Display	High brightness 4-inch 7-segment numeric LED display
2.Digit	5 Digits
3.Size of digit	100 mm High
4.LED color	Red
5.Interface	RS-232C, RS-422/485
6.Operating temp	Temp.: -10 ~60 °C
7.Power supply	AC 110/220V, 1PH, 50/60 Hz or dc 12/24V
8.Power consumption	Appr. 3VA

\* Specifications are subject to change without notice

OCT.2000